

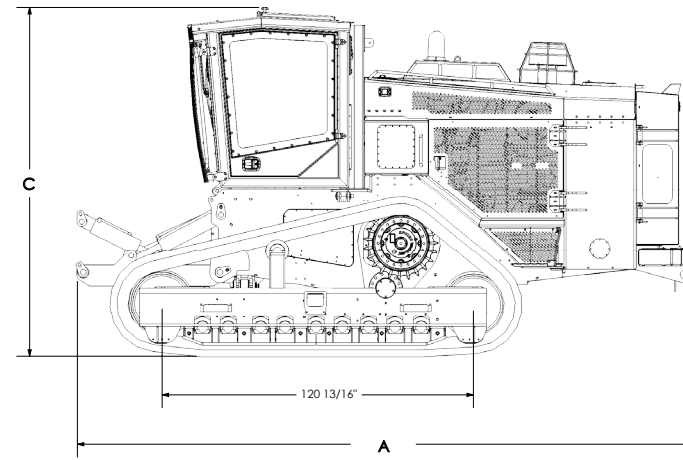
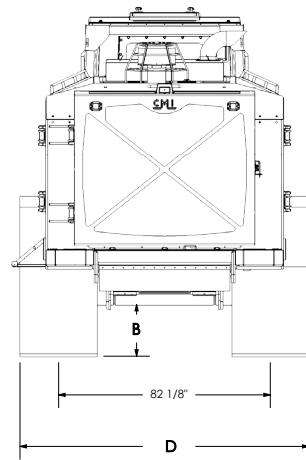


C500

SPECIFICATIONS

ENGINE	
Manufacturer & Model	Cummins x15 Tier 4 stage 5
Cylinders & Displacement	6 cylinders / 912 po CID (14.9 L)
Max power (SAE 1995)	500 hp (372 kW) @ 1800 RPM
Net Peak Torque	1 700 ft-lbf (2 305 Nm)
Fan	Automatic variable pitch, reversible
HYDRAULICS	
Pump System	4
Filtration	10 Microns
ELECTRICAL	
Voltage	12 Volts
Standard Light	8 LED type (4 Front, 2 Side, 2 Rear)
SERVICEABILITY	
Fuel Tank	215 gal US (814 L)
Hydraulic Reservoir	102 gal US (385 L)
Cooling System	18 gal US (68 L)

UNDERCARRIAGE & GROUND PRESSURE	
Chain Type & Size	Seal and Lube, D-6N with an elevated final drive design
Track Shoe & Rollers	30 in (762 mm) single grouser with mud hole, dozer type rollers. 34 in (864 mm) pads optional.
Ground Pressure (Crawler only, 30 in pads)	5.8 psi (0.41 KG/cm ²)
Weight (Crawler only, 30 in pads)	46 925 lb (21 285 kg)
TOP SPEED	
Motor	Two speed hydraulic motors
Speed	Variable speed from 0 to 5.2 mph (0 to 8.4 km/h)
STANDARD CHARACTERISTICS	
- Push button cab lift with manual override	- Hydraulic oil filler pump
- Backup camera	- Air suspension seat
- AM/FM/Bluetooth radio	- ROPS/FOPS/OPS Certification
	- 12 Volts DC outlet



MACHINE DIMENSIONS

- A - Overall Length: 238.81 in (607 cm)
- B - Ground Clearance: 20.0625 in (50.95 cm)
- C - Overall Height: 135.375 in (343.87 cm)
- D - Overall width, 30 in (762 mm) pads: 112.125 in (284.8 cm)
- E - Mulching head overall width: 120.9 in (307.09 cm)
- (E-2F) - Mulching head working width: 102.2 in (259.59 cm)

CMI Mulching inc.
1200 Chemin Herman-Lavigne | Saint-Cyrille-De-Wendover, QC, Canada J1Z 1S4
819 397-2288 | www.cmimulching.com

C.M.I. reserves the right to change specifications, design and price of products described in this literature without notice. C.M.I. and C500 are registered trademarks of C.M.I. Danri inc. Printed in Canada.

C500



The Mulching Specialists

PERFORMANCE | RELIABILITY | SIMPLICITY

C500

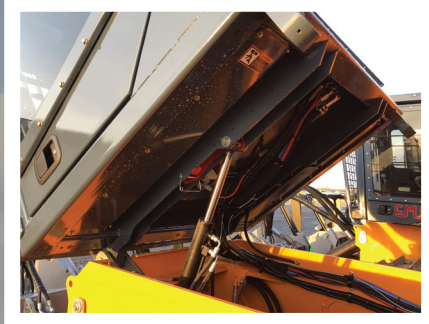
NEW CAB



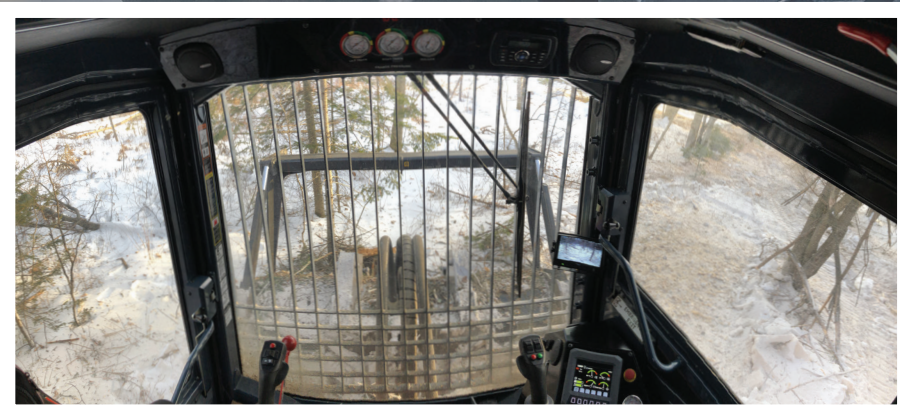
NEW DIGITAL SCREEN FOR EASY DATA ACCESS AND DIAGNOSTIC

NEW ERGONOMIC LAYOUT

12 VOLTS DC OUTLET



PUSH BUTTON CAB TILT FOR EASY ACCESS TO COMPONENTS & HYDRAULIC OIL FILLING PUMP



GREAT VISIBILITY

AM/FM/BLUETOOTH RADIO

AIR SUSPENSION SEAT

PRESSURISED CABIN WITH INTEGRATED HEAVY DUTY PRE-CLEANER

PERSONALIZED CONFIGURATION:
CONFIGURE WITH S400 STUMP GRINDER OR THE TYPE OF MULCHING HEAD THAT FITS YOUR APPLICATION BEST



HIGH EFFICIENCY COOLING PACKAGE WITH COARSE FINS FOR EASY CLEANING

HEAVY DUTY REAR BUMPER WITH INTEGRATED TOOL BOX

HIGH DRIVE TO KEEP MOVING PARTS AWAY FROM DIRT

HIGH PITCH OSCILLATION FOR GREAT HANDLING & COMFORT IN DIFFICULT TERRAIN

HEAVY DUTY TRACK FRAME COMPONENTS THAT HAVE BEEN PROVEN FOR DECADES IN THE PIPELINE INDUSTRY

FULL ROCK GUARD PROTECTION

